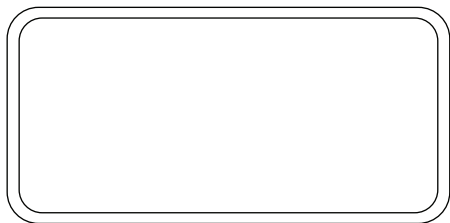


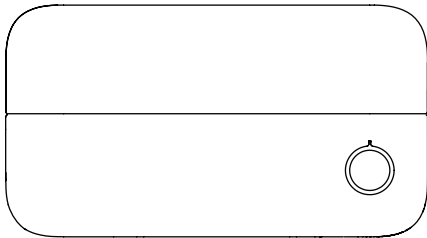
Visit **[sparkgrills.com/assembly](https://sparkgrills.com/assembly)**  
for video instructions or feel free  
to call/text us at **720.713.7526**  
for additional help.



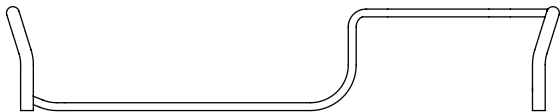
# PARTS



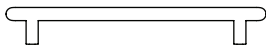
**A** Cart Base



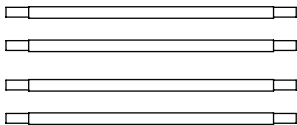
**C** Kettle



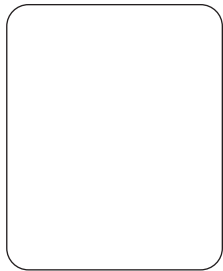
**D** Cart Upper



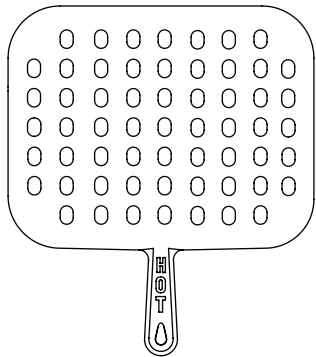
**E** Handle



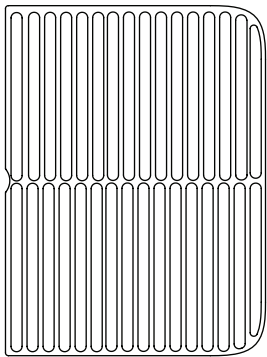
**B** Cart Posts (4)



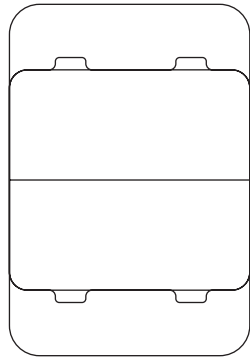
**Q** Side Table



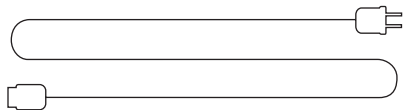
**F** Briq Pan



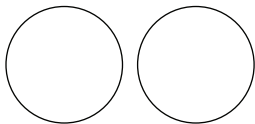
**G** Grates (2)



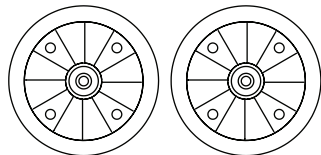
**K** Heat Spreader



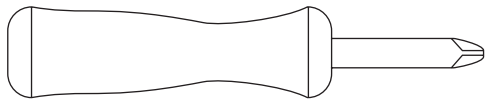
**N** Power Cord



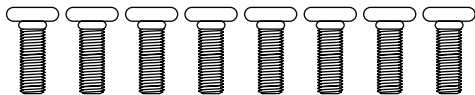
**I** Hubcaps (2)



**H** Wheels (2)



**O** Screwdriver



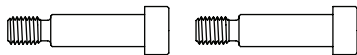
**S** Cart Screws (8)



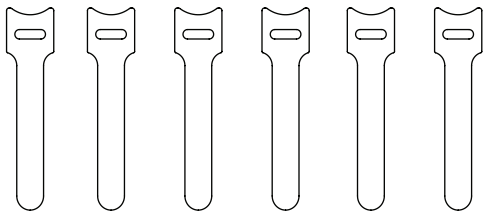
**L** Handle Screws and Washers (2)



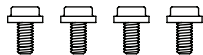
**R** Kettle Clamps (4)



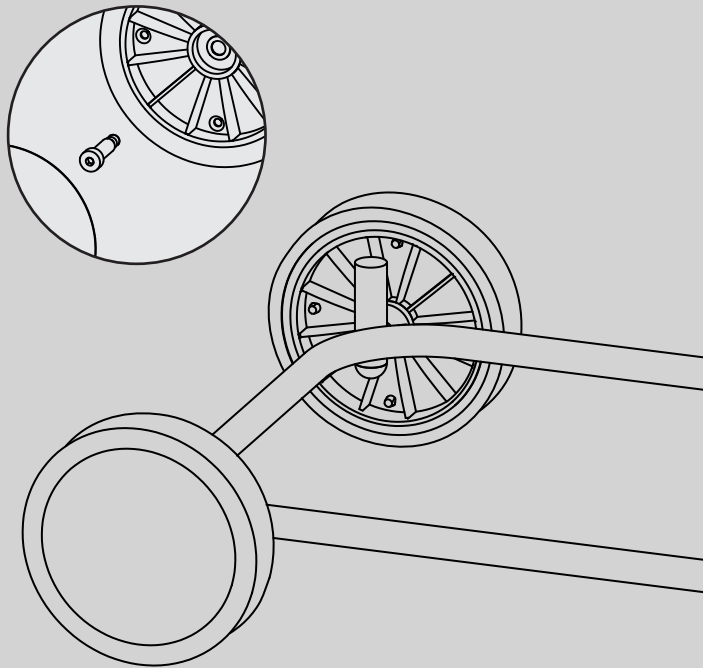
**M** Shoulder Bolts (2)



**P** Cord Straps (6)



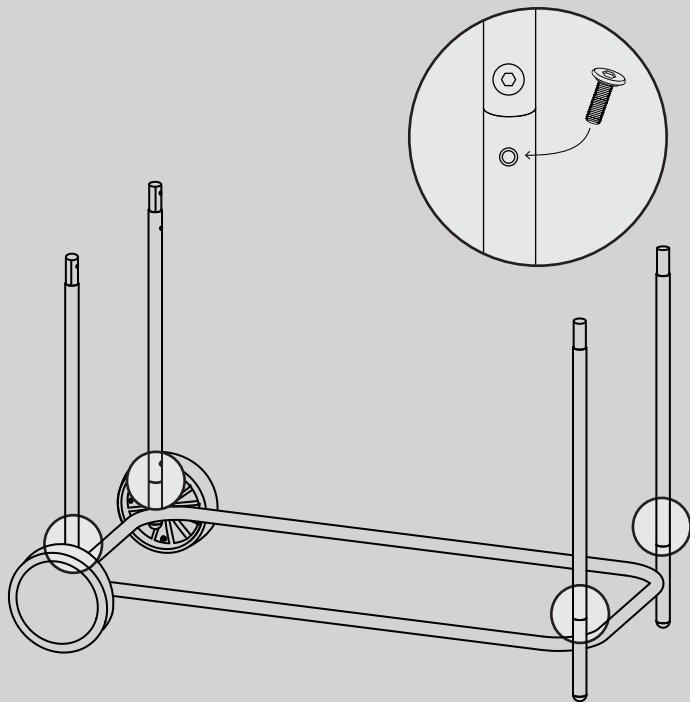
**J** Kettle Mounting Screws (4)



Open all packaging and ensure the listed parts are present.

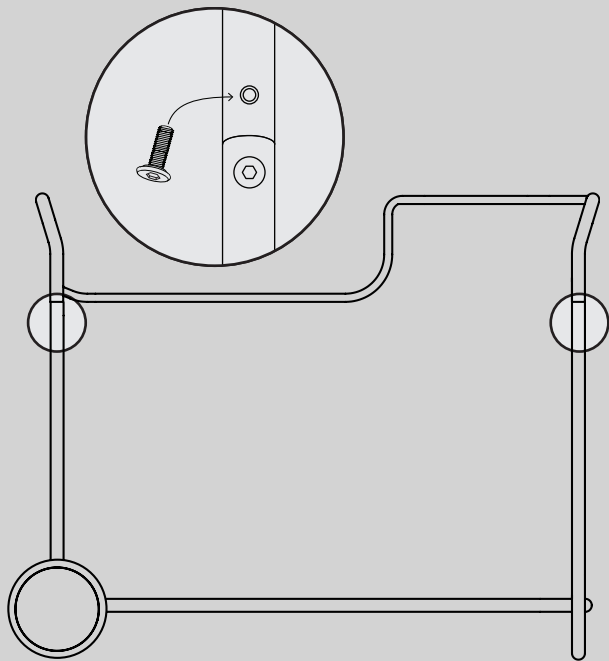
Install the two wheels (H) into the threaded inserts using the shoulder bolts (M) and the large allen bit provided. Then, attach the hubcaps (I) to the outside of the wheels.

01



Install all 4 cart posts (B) onto the cart base (A) and align the holes. (Don't worry, it doesn't matter which end is up or down). Then attach each cart post using one of the cart screws (S). Do not tighten the screws fully yet.

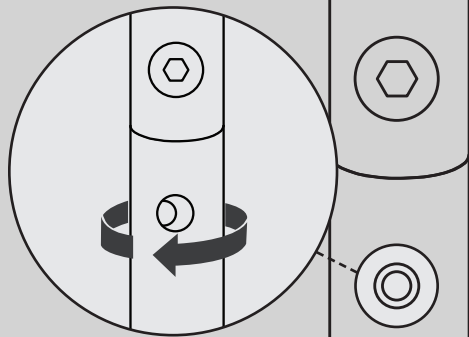
02



Lift the cart upper (D) onto the cart posts. Make sure to place the kettle side of the cart upper over the wheels. Align the holes of the cart posts. Place the other four cart screws (S) into the holes on the cart upper.

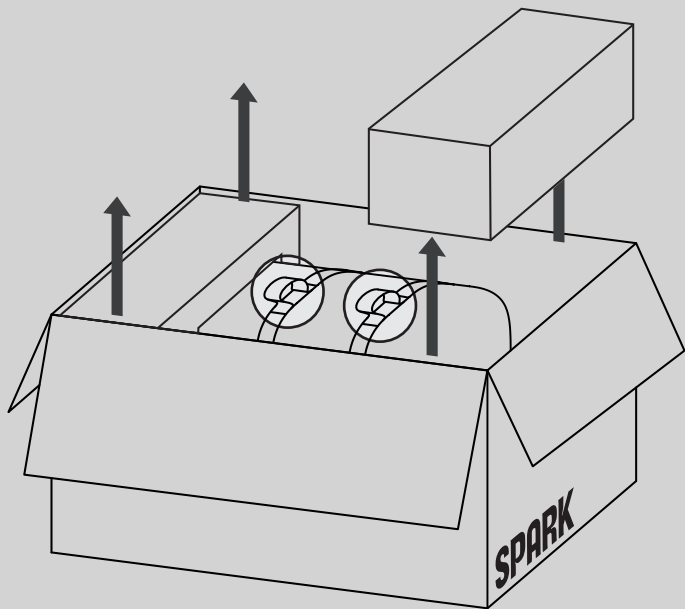
03





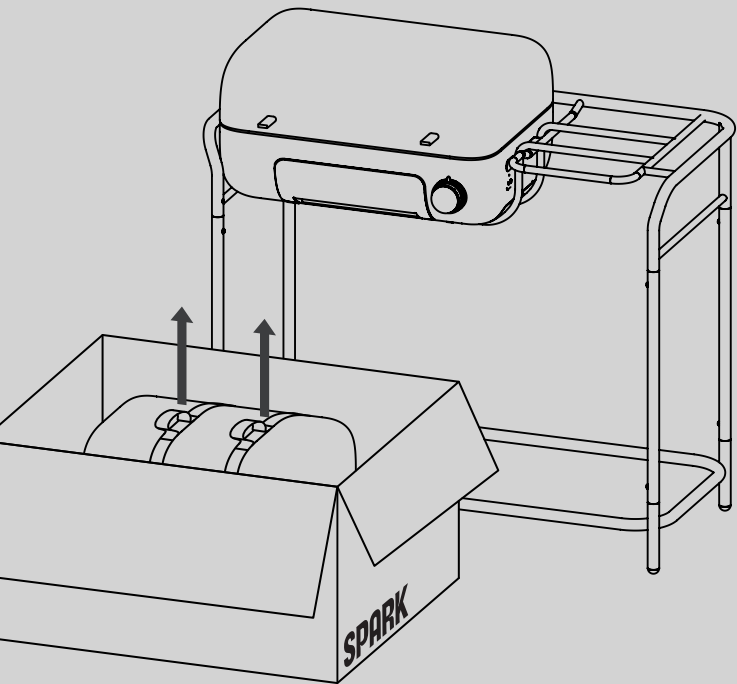
\*Re-adjust and center holes

If you have trouble aligning the holes of the cart posts, try loosening the other screws on that post, then try again. Once all the screws are threaded properly, firmly tighten all of the upper and lower cart screws.

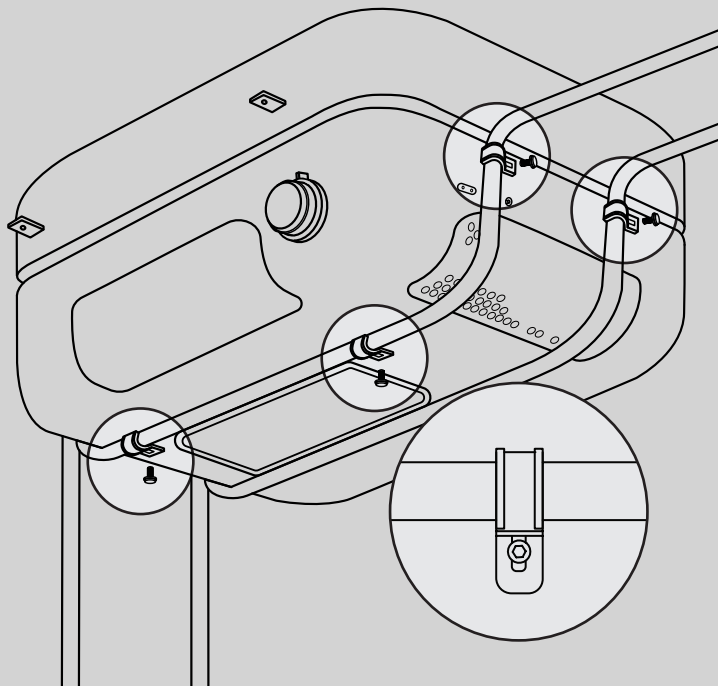


Remove styrofoam packaging, and identify the nylon straps handles wrapped around the kettle. Do not remove the kettle from the box yet.

05

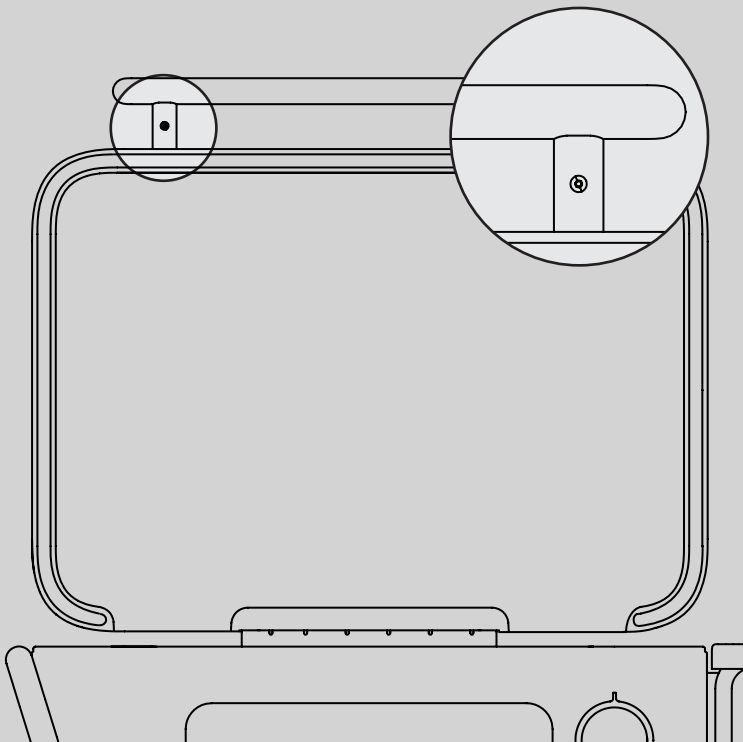


Using the straps, lift the kettle off the foam and carefully set it into the cart. The dial should be facing towards you, with the wheels on the left. Unbuckle the straps and slide them carefully out from beneath the kettle. Then carefully remove the plastic wrap surrounding the kettle.



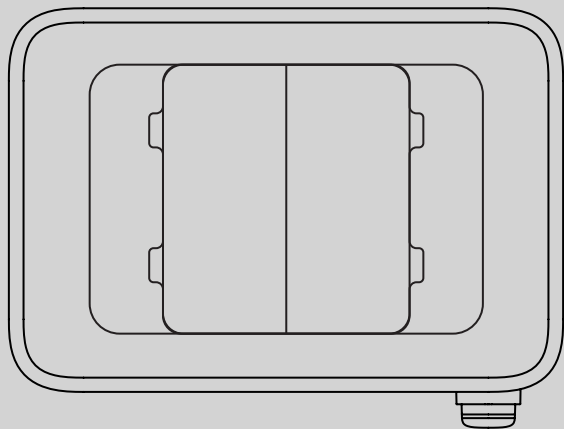
To secure the kettle to the cart, you'll use the four kettle clamps (R), four cart mounting screws (J) and the screwdriver. Screw two kettle clamps into the side of the kettle, underneath the side table. Then screw the other two kettle clamps to the bottom of the kettle using the front left and right mounting holes.

07



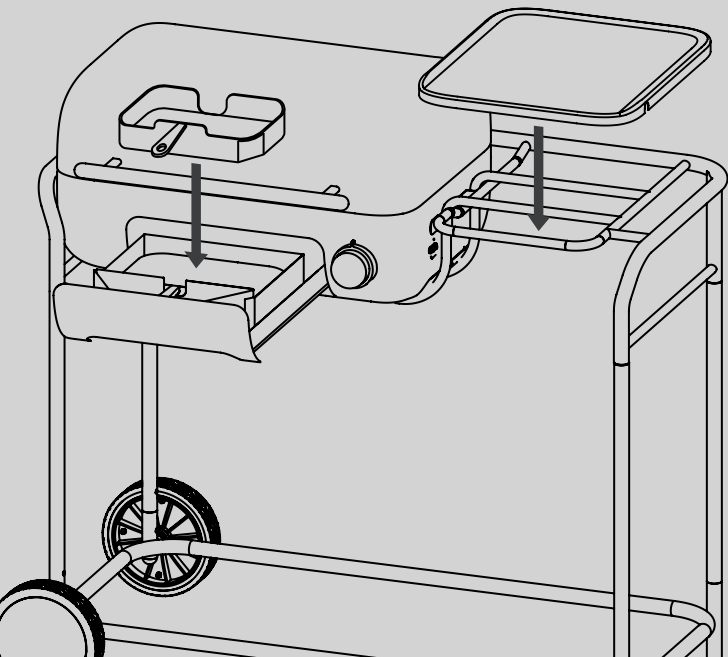
Install the handle (E) using the two handle screws and washers with the screws facing down.

08



Install the heat spreader (K) for even heat across the cooking grates.

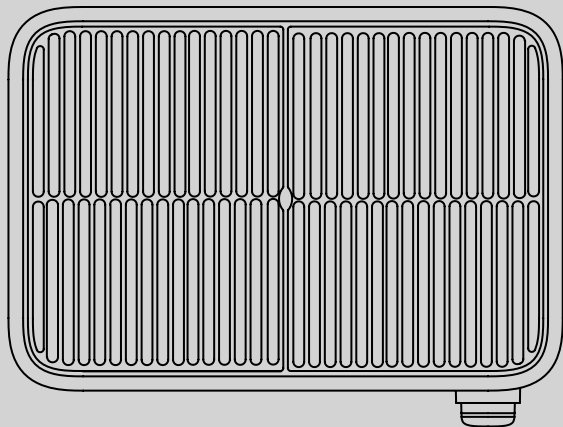
The heat spreader helps provide the largest cooking area, and a more gradual heat differential between the center and edges of the grill. See the User Manual for more information and alternate configurations.



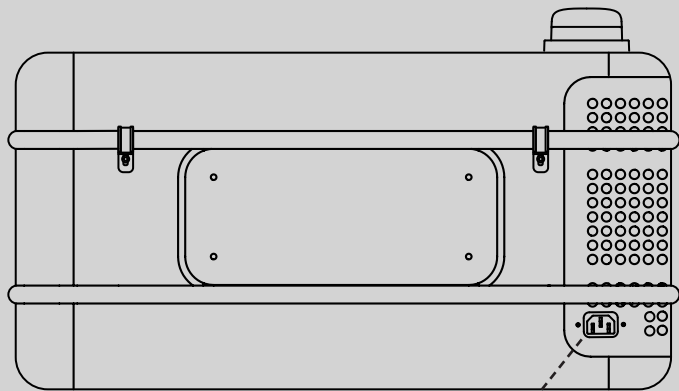
Place the Briq Pan (F) into the drawer. Then place the side table (Q) onto the cart.

10

Place the grates (G) into the kettle with the flat surface facing up.





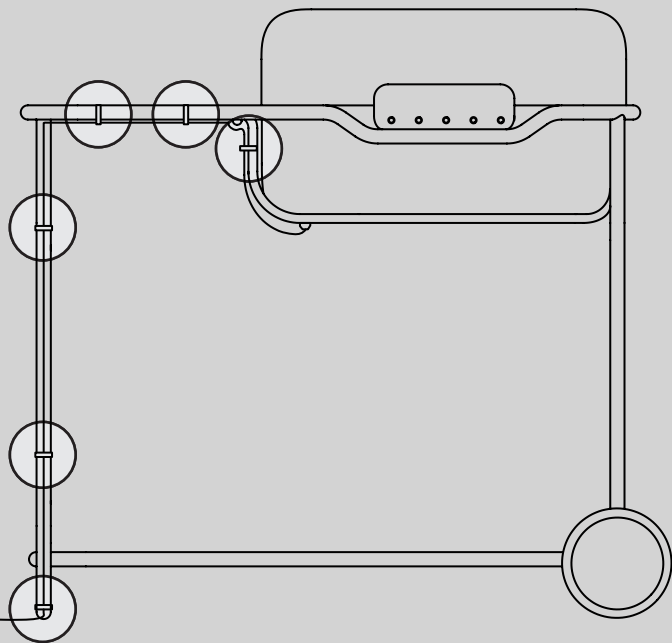


Power input

Plug in the power cord (N) on the underside of the kettle.

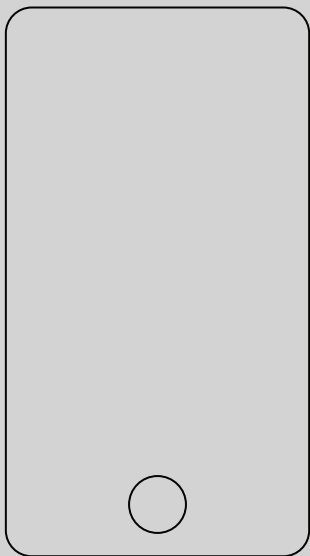
The temperature probe inputs can be found on the lower right side of the kettle.

12



Using the cord straps, secure the power cord (P) along the underside of the side table and down the leg of the cart.

13



Download the Spark app, available on the App Store and Google Play. Create an account and connect your Spark for real-time temperature updates, food probe connectivity, and more.

# SPARK

**Assembly Guide**

SPKAM-001